

# Spindles Screws

9b

---

|                            |     |
|----------------------------|-----|
| Overview                   | 544 |
| FSB Stabil-spindle         | 545 |
| FSB Stabil-half-spindle    | 546 |
| Accessories Stabil-spindle | 548 |
| FSB Special spindle        | 549 |
| Adaptor sleeve             | 550 |
| Fixing accessoires         | 551 |

# Overview

● New products 09110



0102 | 0162  
Page 548



0103 | 0163  
Page 546



0107, 0177  
Page 547



0115, 0116 ●  
Page 546



0442 50  
Page 548



0125  
Page 549



0172, 0173  
Page 550



0183, 0188  
Page 550



0526 10 ●  
Page 551



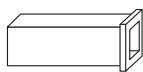
0526  
Page 551



0402, 0406  
Page 548



0410  
Page 553



0425  
Page 550



0440  
Page 553



0441  
Page 553



0450  
Page 551



0303  
Page 552



0309  
Page 552



0313  
Page 552



0315  
Page 552



0316  
Page 552



0319, 0320  
Page 553

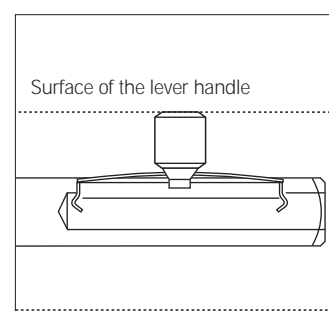
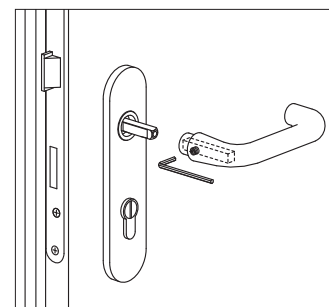


0325  
Page 553

## FSB Stabil-spindle

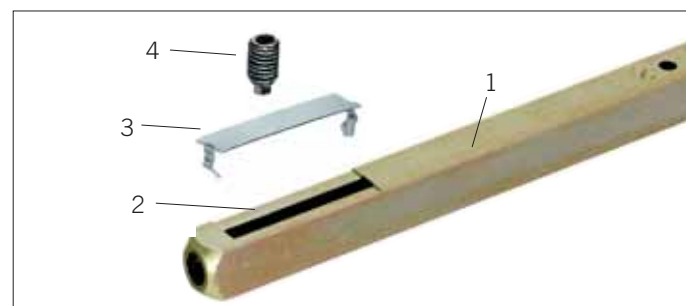


The FSB Stabil-spindle carries on from where its predecessors – the FSB Screw and the FSB Ankerspindle – left off. New is a spring loaded tolerance compensator pierced by the grub screw when fastened.



### Features

1. Solid square-section construction
2. Fastening for anchor clamp
3. Anchor clamp with pre-stress springing
4. Grub screw with piercing punch



The FSB stock range serves the following door thicknesses:

- 36 to 45 mm with the 8 mm FSB Stabil-spindle
- 66 to 75 mm with the 10 mm FSB Stabil-spindle

To this stock range all lengths of accessory parts are adapted. Hardware can be precision customised for other door or spindle thicknesses, with accessories to match.

### Assembly instructions:

Pass the spindle with the male lever or male knob handle through the lock follower. The female lever or female knob handle is fitted to the spindle and the two parts pushed together securely.

The grub screw in the neck of the female lever or female knob handle is tightened and the handles are checked several times to ensure perfect operation. The grub screw should now be further firmly tightened until it pierces the spindle clamping clip. Visible sign for correctly mounted furniture: The head of the screw is flush with the handle's neck.

Check the fit by turning, pushing and pulling the handle a number of times.

## FSB Stabil- half-spindle



### 0103

FSB Stabil-half-spindle  
for through fixing

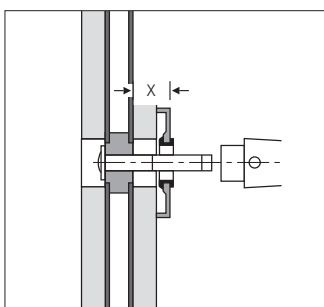
Dimension X

0163 0708 7 × 55 mm, 15 – 24 mm  
0163 0716 7 × 75 mm, 35 – 43 mm

0103 0808 8 × 55 mm, 15 – 24 mm  
0103 0812 8 × 65 mm, 25 – 34 mm  
0103 0816 8 × 75 mm, 35 – 44 mm

0103 0908 9 × 55 mm, 15 – 24 mm  
0103 0912 9 × 65 mm, 25 – 34 mm  
0103 0916 9 × 75 mm, 35 – 44 mm

0103 1008 10 × 55 mm, 15 – 24 mm  
0103 1012 10 × 65 mm, 25 – 34 mm  
0103 1016 10 × 75 mm, 35 – 44 mm



### 0115

### 0116

FSB Stabil-half-spindle  
for doors drilled on one side

Dimension X

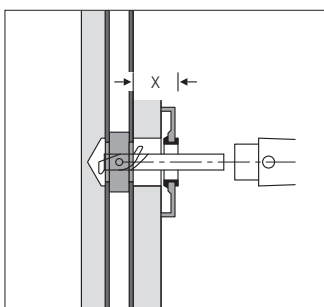
0115 0710 7 × 60 mm, 20 – 24 mm  
0115 0714 7 × 70 mm, 30 – 34 mm

0115 0810 8 × 60 mm, 20 – 24 mm  
0115 0812 8 × 65 mm, 25 – 29 mm  
0115 0814 8 × 70 mm, 30 – 34 mm  
0115 0816 8 × 75 mm, 35 – 39 mm  
0115 0818 8 × 80 mm, 40 – 44 mm

0115 0910 9 × 60 mm, 20 – 24 mm  
0115 0912 9 × 65 mm, 25 – 29 mm  
0115 0914 9 × 70 mm, 30 – 34 mm  
0115 0916 9 × 75 mm, 35 – 39 mm  
0115 0918 9 × 80 mm, 40 – 44 mm

0115 1010 10 × 60 mm, 20 – 24 mm  
0115 1012 10 × 65 mm, 25 – 29 mm  
0115 1014 10 × 70 mm, 30 – 34 mm  
0115 1016 10 × 75 mm, 35 – 39 mm  
0115 1018 10 × 80 mm, 40 – 44 mm

0116 1012 8/10 × 65 mm, 25 – 29 mm\*  
0116 1014 8/10 × 70 mm, 30 – 34 mm\*  
0116 1016 8/10 × 75 mm, 35 – 39 mm\*  
0116 1018 8/10 × 80 mm, 40 – 44 mm\*



\* stepped, 8 mm lever handle hole / 10 mm follower

# FSB Stabil-half-spindle



0177

0107

FSB Stabil-half-spindle with plug (M12 thread) for screw mounting in knob neck, lever operable

For Knob backplates in Aluminium and AluGrey

|           |                        |
|-----------|------------------------|
| 0177 0718 | 7 × 80 mm, 32 – 39 mm  |
| 0177 0720 | 7 × 85 mm, 37 – 44 mm  |
| 0177 0722 | 7 × 90 mm, 42 – 49 mm  |
| 0177 0724 | 7 × 95 mm, 47 – 54 mm  |
| 0177 0726 | 7 × 100 mm, 52 – 59 mm |
| 0177 0728 | 7 × 105 mm, 57 – 64 mm |
| 0177 0730 | 7 × 110 mm, 62 – 69 mm |

For Knob backplates in Bronze and Stainless steel

|           |                        |
|-----------|------------------------|
| 0177 0718 | 7 × 80 mm, 27 – 34 mm  |
| 0177 0720 | 7 × 85 mm, 32 – 39 mm  |
| 0177 0722 | 7 × 90 mm, 37 – 44 mm  |
| 0177 0724 | 7 × 95 mm, 42 – 49 mm  |
| 0177 0726 | 7 × 100 mm, 47 – 54 mm |
| 0177 0728 | 7 × 105 mm, 52 – 59 mm |
| 0177 0730 | 7 × 110 mm, 57 – 64 mm |

For door knobs (version 06)

|           |                        |
|-----------|------------------------|
| 0177 0718 | 7 × 80 mm, 31 – 38 mm  |
| 0177 0720 | 7 × 85 mm, 36 – 43 mm  |
| 0177 0722 | 7 × 90 mm, 41 – 48 mm  |
| 0177 0724 | 7 × 95 mm, 46 – 53 mm  |
| 0177 0726 | 7 × 100 mm, 51 – 58 mm |
| 0177 0728 | 7 × 105 mm, 56 – 63 mm |
| 0177 0730 | 7 × 110 mm, 61 – 68 mm |

for door thickness

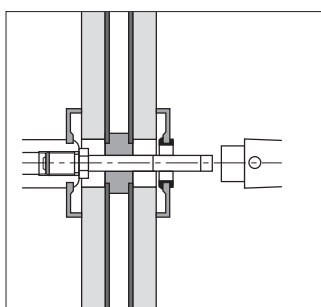
|           |                         |
|-----------|-------------------------|
| 0177 0820 | 8 × 85 mm, 36 – 45 mm   |
| 0177 0824 | 8 × 95 mm, 46 – 55 mm   |
| 0177 0828 | 8 × 105 mm, 56 – 65 mm  |
| 0177 0832 | 8 × 115 mm, 66 – 75 mm  |
| 0177 0836 | 8 × 125 mm, 76 – 85 mm  |
| 0177 0840 | 8 × 135 mm, 86 – 95 mm  |
| 0177 0844 | 8 × 145 mm, 96 – 105 mm |

|           |                         |
|-----------|-------------------------|
| 0177 0920 | 9 × 85 mm, 36 – 45 mm   |
| 0177 0924 | 9 × 95 mm, 46 – 55 mm   |
| 0177 0928 | 9 × 105 mm, 56 – 65 mm  |
| 0177 0932 | 9 × 115 mm, 66 – 75 mm  |
| 0177 0936 | 9 × 125 mm, 76 – 85 mm  |
| 0177 0940 | 9 × 135 mm, 86 – 95 mm  |
| 0177 0944 | 9 × 145 mm, 96 – 105 mm |

|           |                          |
|-----------|--------------------------|
| 0177 1020 | 10 × 85 mm, 36 – 45 mm   |
| 0177 1024 | 10 × 95 mm, 46 – 55 mm   |
| 0177 1028 | 10 × 105 mm, 56 – 65 mm  |
| 0177 1032 | 10 × 115 mm, 66 – 75 mm  |
| 0177 1036 | 10 × 125 mm, 76 – 85 mm  |
| 0177 1040 | 10 × 135 mm, 86 – 95 mm  |
| 0177 1044 | 10 × 145 mm, 96 – 105 mm |

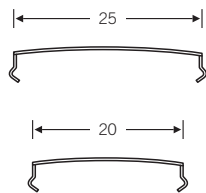
|           |                             |
|-----------|-----------------------------|
| 0107 1020 | 8/10 × 85 mm, 36 – 45 mm*   |
| 0107 1024 | 8/10 × 95 mm, 46 – 55 mm*   |
| 0107 1028 | 8/10 × 105 mm, 56 – 65 mm*  |
| 0107 1032 | 8/10 × 115 mm, 66 – 75 mm*  |
| 0107 1036 | 8/10 × 125 mm, 76 – 85 mm*  |
| 0107 1040 | 8/10 × 135 mm, 86 – 95 mm*  |
| 0107 1044 | 8/10 × 145 mm, 96 – 105 mm* |

The door thickness given for the FSB Stabil-half-spindle with plug assumes a backplate or rose thickness of 7 mm.



\* stepped, 8 mm lever handle hole / 10 mm follower

## Accessories Stabil-spindle



### 0402

Grub screw with piercing punch

|           |              |
|-----------|--------------|
| 0402 0601 | M6 × 8 mm    |
| 0402 0602 | M6 × 9 mm    |
| 0402 0603 | M6 × 10,5 mm |
| 0402 0604 | M6 × 11,5 mm |

### 0406

Anchor clamp spring

|           |                |
|-----------|----------------|
| 0406 1807 | 18 mm (□ 7 mm) |
| 0406 2508 | 25 mm (□ 8 mm) |
| 0406 2008 | 20 mm (□ 9 mm) |



### 0442 50

FSB Stabil-blind-spindle

8 × 75 mm,  
for door thickness 36 – 45 mm



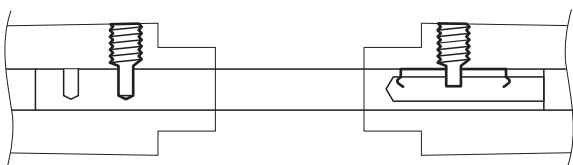
### 0162 | 0102

FSB Special-stabil-spindle  
as a provisional device for lever  
handle sets comprising two  
female handles

for door thickness

Female part of lever with  
threaded bolt 404

Female part of lever with  
grub screw 0402



|                    |                         |
|--------------------|-------------------------|
| 0162 0725          | 7 × 100 mm, 35 – 43 mm  |
| 0162 0726          | 7 × 100 mm, 43 – 50 mm  |
| 0162 0731          | 7 × 112 mm, 50 – 57 mm  |
| 0162 0739          | 7 × 132 mm, 71 – 78 mm  |
| 0102 0826          | 8 × 100 mm, 36 – 55 mm  |
| 0102 0834          | 8 × 120 mm, 56 – 75 mm  |
| 0102 0842          | 8 × 140 mm, 76 – 95 mm  |
| 0102 0926          | 9 × 100 mm, 36 – 55 mm  |
| 0102 0934          | 9 × 120 mm, 56 – 75 mm  |
| 0102 0942          | 9 × 140 mm, 76 – 95 mm  |
| 0102 1026          | 10 × 100 mm, 36 – 55 mm |
| 0102 1034          | 10 × 120 mm, 56 – 75 mm |
| 0102 1042          | 10 × 140 mm, 76 – 95 mm |
| 0404 threaded bolt | M6 × 12 mm with pin     |

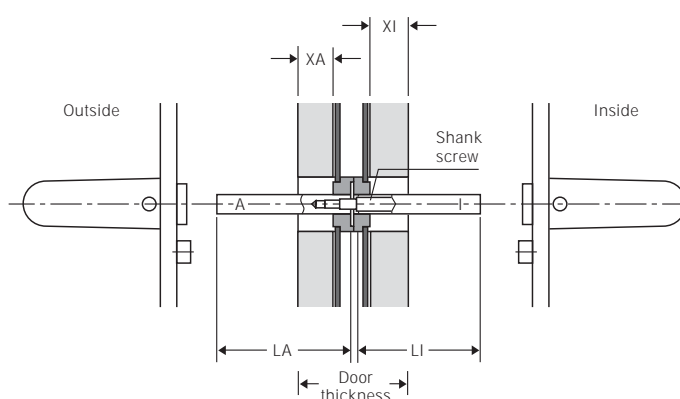
Where it is intended to form a set out of two female handle parts, the first step involves constructing a male handle using the FSB Stabil-spindle and the special threaded bolt with pin that goes with it.

To produce this spindle-and-handle unit, the grub screw must engage fully in the spindle-boreholes leaving the screw head flush with the surface of the handle. Thereafter assembly is as for the FSB Stabil-spindle in standard use.

The door thickness given for the FSB special Stabil-spindle assumes a backplate or rose thickness of 7 mm.

## FSB Special spindle

0125



Lever handle spindle for split follower, item no. 0125

An equally proven FSB special spindle of 9 mm square section, item no. 0125, is available for locks with split follower. It suits door thicknesses from 34 mm to 101 mm.

When ordering, please specify:

- Door thickness
- Dimensions XA and XI
- Item no. of FSB furniture

When deploying the FSB spindle for locks with a split follower, it is important not only to heed building regulations but also to bear in mind that panic fittings (lock, cylinder, spindle, handles etc.) are intended solely for use in an emergency and should never be fitted to doors in constant operation. FSB would draw your attention to the recommendations and observations of the lock industry in this respect.

Fixing instructions

1. From the outside insert spindle section A into the lock follower.
2. From the inside insert spindle section I into the lock follower and screw the two spindle sections together by means of the shank screw on the coupling washer.
3. Place the turnably fixed lever handles together with the backplates or roses on the spindles.
4. It should be ensured that there is no play between the plates or roses and the doors. The slightest slackness can lead to the connection in the lock follower being ruptured due to the forces exerted in operating the door.
5. Finally, firmly tighten the cup points on the two lever handles against the spindle. Heads of screws must be flush with the surface of the handle.

## Adopter sleeve



### Solid □-spindles 7 mm

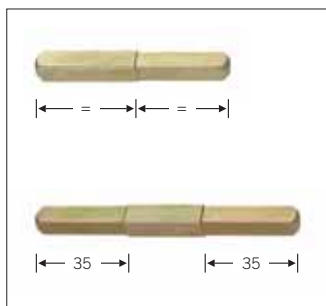
|           |            |
|-----------|------------|
| 0171 0708 | 7 × 55 mm  |
| 0171 0710 | 7 × 60 mm  |
| 0171 0716 | 7 × 75 mm  |
| 0171 0718 | 7 × 80 mm  |
| 0171 0726 | 7 × 100 mm |
| 0171 0730 | 7 × 110 mm |

### Solid □-spindles 8 mm

|           |            |
|-----------|------------|
| 0172 0810 | 8 × 60 mm  |
| 0172 0814 | 8 × 70 mm  |
| 0172 0818 | 8 × 80 mm  |
| 0172 0822 | 8 × 90 mm  |
| 0172 0826 | 8 × 100 mm |
| 0172 0830 | 8 × 110 mm |
| 0172 0834 | 8 × 120 mm |
| 0172 0838 | 8 × 130 mm |
| 0172 0842 | 8 × 140 mm |
| 0172 0846 | 8 × 150 mm |
| 0172 0850 | 8 × 160 mm |

### Solid □-spindles 9 mm

|           |            |
|-----------|------------|
| 0173 0910 | 9 × 60 mm  |
| 0173 0918 | 9 × 80 mm  |
| 0173 0926 | 9 × 100 mm |
| 0173 0934 | 9 × 120 mm |
| 0173 0938 | 9 × 130 mm |
| 0173 0942 | 9 × 140 mm |
| 0173 0946 | 9 × 150 mm |
| 0173 0950 | 9 × 160 mm |

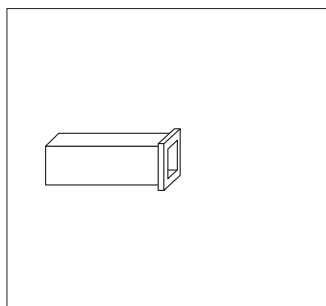


### Stepped spindles, one side

|           |              |
|-----------|--------------|
| 0188 0910 | 9/8 × 60 mm  |
| 0188 0916 | 9/8 × 75 mm  |
| 0188 0934 | 9/8 × 120 mm |

### Stepped spindles, both sides

|           |                 |
|-----------|-----------------|
| 0183 0926 | 8/9/8 × 100 mm  |
| 0183 0934 | 8/9/8 × 120 mm  |
| 0184 1026 | 8/10/8 × 100 mm |
| 0184 1030 | 8/10/8 × 110 mm |
| 0184 1034 | 8/10/8 × 120 mm |
| 0184 1038 | 8/10/8 × 130 mm |
| 0184 1042 | 8/10/8 × 140 mm |
| 0189 1010 | 10/8 × 60 mm    |
| 0189 1016 | 10/8 × 75 mm    |
| 0189 1018 | 10/8 × 80 mm    |
| 0189 1026 | 10/8 × 100 mm   |
| 0189 1030 | 10/8 × 110 mm   |



## 0425

Adaptor sleeve  
for lever handles, spindles  
and lock followers

|           |             |
|-----------|-------------|
| 0425 0708 | 7 on 8 mm   |
| 0425 0809 | 8 on 9 mm   |
| 0425 0810 | 8 on 10 mm  |
| 0425 0910 | 9 on 10 mm  |
| 0425 0885 | 8 on 8,5 mm |

## Fixing accessoires



### 0450

Cup point

0450 9020 6001 M6 x 7 mm



### 0526

Fixing accessoires for framed door furniture

Screws M5 x 25 mm with rivet nuts



### 0526 10

Fixing accessoires for framed door furniture with through fixing option, in combination with FSB mortice locks 02 series acc. to DIN, cf. page 531f.

| Door Thickness | Bolt length | Item nos. |
|----------------|-------------|-----------|
| 45 – 49 mm     | 50 mm       | 0526 1045 |
| 50 – 54 mm     | 55 mm       | 0526 1050 |
| 55 – 59 mm     | 60 mm       | 0526 1055 |
| 60 – 64 mm     | 65 mm       | 0526 1060 |
| 65 – 69 mm     | 70 mm       | 0526 1065 |
| 70 – 74 mm     | 75 mm       | 0526 1070 |
| 75 – 79 mm     | 80 mm       | 0526 1075 |
| 80 – 84 mm     | 85 mm       | 0526 1080 |
| 85 – 89 mm     | 90 mm       | 0526 1085 |
| 90 – 94 mm     | 95 mm       | 0526 1090 |
| 95 – 99 mm     | 100 mm      | 0526 1095 |
| 100 – 104 mm   | 105 mm      | 0526 1000 |

## Fixing accessoires



### 0303

Cross recessed raised countersunk oval head bolt

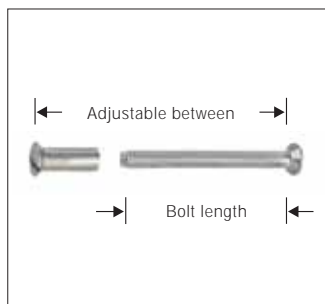
0303 0515  
M5 × 15 mm

0303 0535  
M5 × 35 mm

### 0308

Cross recessed raised countersunk oval head bolt for door knobs with through fixing (Item no. 23.. 06) and door thickness ≥ 47 mm

|           |          |                                  |
|-----------|----------|----------------------------------|
| 0308 0555 | M5 × 55  | / for door thickness 47 – 56 mm  |
| 0308 0565 | M5 × 65  | / for door thickness 57 – 66 mm  |
| 0308 0575 | M5 × 75  | / for door thickness 67 – 76 mm  |
| 0308 0585 | M5 × 85  | / for door thickness 77 – 86 mm  |
| 0308 0595 | M5 × 95  | / for door thickness 87 – 96 mm  |
| 0308 0501 | M5 × 105 | / for door thickness 97 – 106 mm |



| Size    | Bolt length | Adjustable between | for door thickness |
|---------|-------------|--------------------|--------------------|
| M4 × 35 | 35 mm       | 37 – 45 mm         | 25 – 33 mm         |
| M4 × 40 | 40 mm       | 42 – 50 mm         | 30 – 38 mm         |
| M4 × 45 | 45 mm       | 47 – 55 mm         | 35 – 43 mm         |
| M4 × 50 | 50 mm       | 52 – 60 mm         | 40 – 48 mm         |
| M4 × 55 | 55 mm       | 57 – 65 mm         | 45 – 53 mm         |
| M4 × 60 | 60 mm       | 62 – 70 mm         | 50 – 58 mm         |

### 0309

Bolts with M4 threaded sleeve nut 0309



### 0315

Cross recessed tapping screw with countersunk head

2,9 × 16 mm  
3,9 × 16 mm  
4,2 × 19 mm



### 0313

Steel stud

0313 0670 M6 × 70 mm  
0313 0680 M6 × 80 mm

0313 0880 M8 × 80 mm



### 0316

Steel stud for timber fixing

0316 0640 M6  
Total length: 40 mm,  
Length of thread: 10 mm

0316 0840 M8  
Total length: 40 mm,  
Length of thread: 15 mm

## Fixing accessoires



### 0319

Dome nuts

Aluminium  
 0319 0600 M6  
 0319 0800 M8

Stainless steel  
 0319 0800 M8

### 0320

Dome nuts

Aluminium  
 Stainless steel  
 0320 0800 M8

Stainless steel and bronze  
 0320 0800 6211 M8



### 0325

Dome nuts  
with extension 12 mm

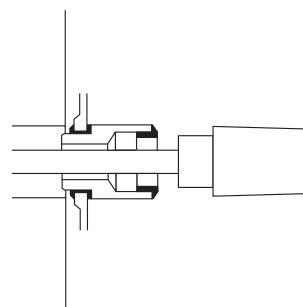
Aluminium

0325 0600 M6  
 0325 0800 M8



### 0410 00

FSB socket spanner  
 – for half spindles for doors  
 drilled from one side  
 – for half-spindles with plugs



### 0440

Lever handle distance rose  
to increase the distance  
between door and lever  
handle

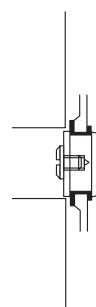
Aluminium

Stainless steel\*

0440 20 20 mm\*

0440 25 25 mm

0440 30 30 mm



### 0441

Blind rose  
to blank out the lever handle  
hole on backplates

Aluminium

