

Letter plates
Bell-push plates
Numerals

7c

Technical Information	454
Overview	455
Letter plates	456
Intercom and bell-push plates	461
Intercom and bell-push plates	462
Bell pushes	462
Numerals	465

Letter plates

Letter plates

FSB supplies all letter plates with spring mechanisms - thus also facilitating vertical fitting. FSB manufactures letter plates and their accessories for the most diverse of assembly scenarios, with a wide variety of external and aperture dimensions and with custom inscriptions and engravings, moreover:

- letter plates with or without spacer
- letter plates with or without nameplate, optionally with plastic frame or name engraved directly onto the letter plate

EN 13 724

The European Standards Committee drew up the above EN standard in cooperation with the German Post Office, letter-plate manufacturers and representatives of consumer associations. On the subject of openings for domestic letter-boxes, the standard states that a C4-format test envelope (229 × 324 mm) up to 24 mm thick must be able to pass through the opening without having to be folded or damaged in any way. FSB letter-plate models 3829 and 3801 meet this requirement.

Bell push and light socket

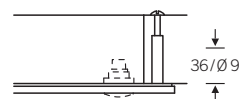
Bell pushes may only be connected to a protective low voltage (max 42 V). Given the high no-load voltage involved, we recommend connecting the light socket (lamp operation max. 24 V/40 mA) to the safety transformer (8 V).

Important note regarding assembly:

When fitting letter plates and bell-push plates, please ensure that these are not directly exposed to driving rain

Fixing

Concealed fixing:
 Ø 9 mm, 36 mm deep
 Ø 4.5 mm for through fixing
 Fixing is performed using the enclosed M4 screws.



Visible fixing:

On request, intercom/bell-push plates and letter plate 3808 can also be supplied for visible fixing using 5mm-diameter countersunk screws.



● New products 09110

□ Aluminium □ Brass
 □ Stainless steel □ Bronze

Overview



3801 □
Page 456



3808 □ ■ ●
Page 457



3826 □ □ ■
Page 458



3829 □ □
Page 459



3835 □ □
Page 460



3845 □
Page 461



5812 □
Page 461



3812 □ ■ ●
Page 462



3811 □ ■ ●
Page 462



3810 □ ■ ●
Page 462



3863 □ ■ ●
Page 464



3866 □ □
Page 463



3865 □ □
Page 463



3864 □ □
Page 463



3863 □
Page 464

7c

2a

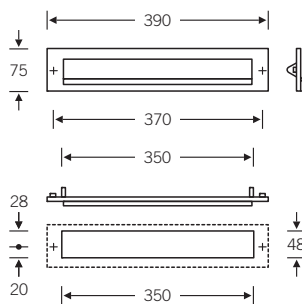
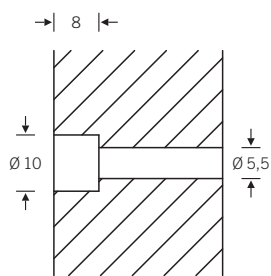
4005 □ ■ ●
Page 465

Letter plates



Fixing holes :
 10 mm Ø, 8 mm deep
 5.5 mm Ø through

Installation with delivered
 screws M5.

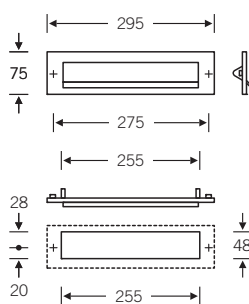


3801

■ Aluminium

2001 without nameplate
 2002 with nameplate

Opening size 325 x 32 mm
 Cutout size in the door
 350 x 48 mm



3804

■ Aluminium

2001 without nameplate
 2002 with nameplate

Opening size 230 x 32 mm
 Cutout size in the door
 255 x 48 mm

Letter plates 3801 20, 3804 20
 are fitted with springs and can
 hence be installed vertically.

Letter plates



3808

- Stainless steel
- Bronze

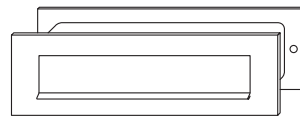
Opening size 230 x 35 mm
Cutout size in the door
246 x 60 mm

Concealed fixing from the in-
side or through the inner flap.

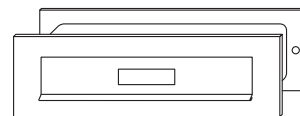
Customised engravings
cf. page 253

Letter plate system 3808 is
available as:

- Letter plate set with black
spacer and inner flap for
door thickness 40 - 70mm
or door thickness 71 - 100 mm
- Letter plate, without spacer
or inner flap, with concealed
fixing or for wall mounting.



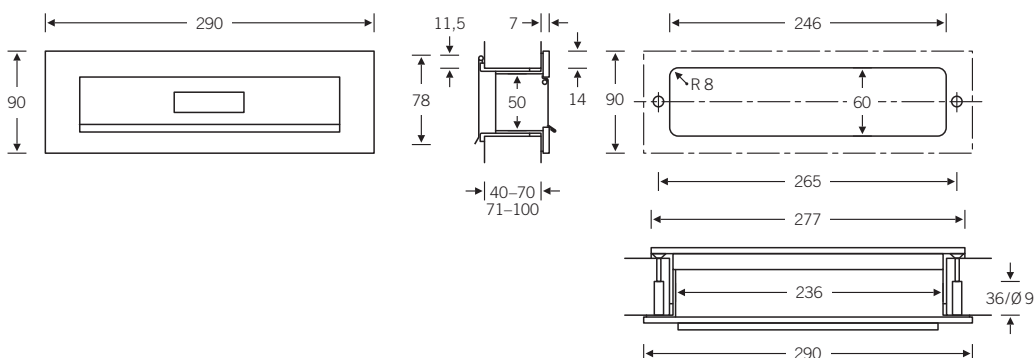
3808 0061 (40 – 70 mm)
3808 0071 (71 – 100 mm)
Letter plate set
without nameplate,
with spacer and inner flap



3808 0001
3808 0101, wallmounting
Letter plate
without nameplate,
without spacer or inner flap

3808 0062 (40 – 70 mm)
3808 0072 (71 – 100 mm)
Letter plate set
with nameplate,
spacer and inner flap

3808 0002
3808 0102, wallmounting
Letter plate with nameplate,
without spacer or inner flape



Fixing holes:
9 mm Ø, 36 mm deep
4.5 mm Ø through

Installation with delivered
screws M4.

7c

Letter plates



3826 20

- Aluminium
- Stainless steel
- Brass

Opening size 230 x 40 mm
 Cutout size in the door
 240 x 50 mm

Fixing of letter plate and inner flap must be made separately.

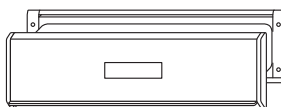
Letter plate system 3826 20 is available as:

- Letter plate set with black spacer and inner flap for door thickness 40 - 70 mm or door thickness 71 - 100 mm
- Single as letter plate.



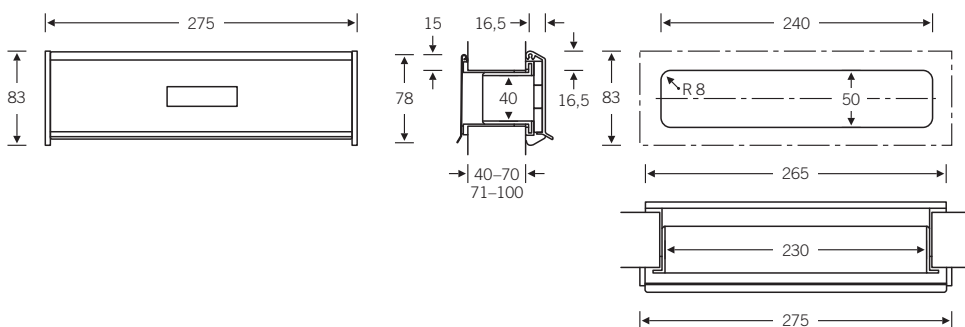
3826 2061 (40 – 70 mm)
 3826 2071 (71 – 100 mm)
 Letter plate set without nameplate, with spacer and inner flap

3826 2001
 Letter plate without nameplate, without spacer or inner flap

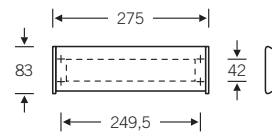


3826 2062 (40 – 70 mm)
 3826 2072 (71 – 100 mm)
 Letter plate set with nameplate, spacer and inner flap

3826 2002
 Letter plate with nameplate, without spacer or inner flap



Letter plates

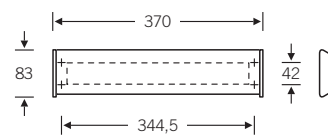


3826

- Aluminium
- Stainless steel

2001 without nameplate
2002 with nameplate

Opening size/cutout size in the door 230 x 40 mm



3829

- Aluminium
- Stainless steel

0001 without nameplate
0002 with nameplate

Opening size/cutout size in the door 325 x 40 mm

7c

Letter plates



3835 00

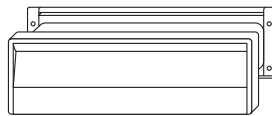
- Aluminium
- Stainless steel

Opening size 230 x 40 mm
 Cutout in the door
 240 x 50 mm

Fixing of letter plate and inner plate must be made separately.

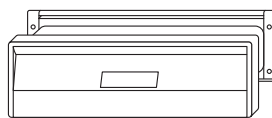
Letter plate system 3835 00 is available as:

- Letter plate set with black spacer and inner flap for door thickness 40 - 70 mm or door thickness 71 - 100mm
- Single as letter plate.



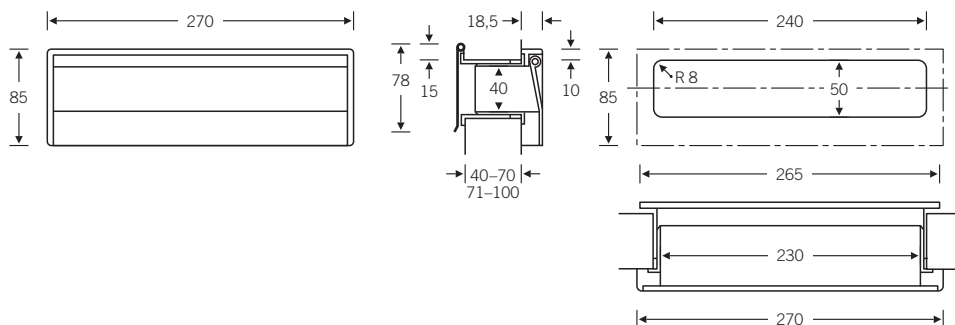
3835 0061 (40 – 70 mm)
 3835 0071 (71 – 100 mm)
 Letter plate set without nameplate, with spacer and inner flap

3835 0001
 Letter plate without nameplate, without spacer or inner flap

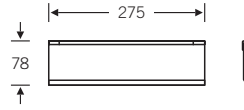


3835 0062 (40 – 70 mm)
 3835 0072 (71 – 100 mm)
 Letter plate set with nameplate, spacer and inner flap

3835 0002
 Letter plate with nameplate, without spacer and inner flap



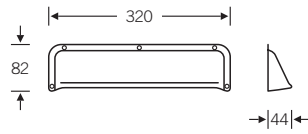
Letter hood
Flap



3845

■ Aluminium

For aperture size
255 x 40 mm



5812

■ Aluminium

For aperture size
280 x 65 mm

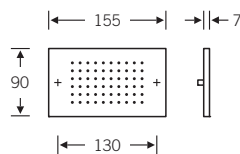
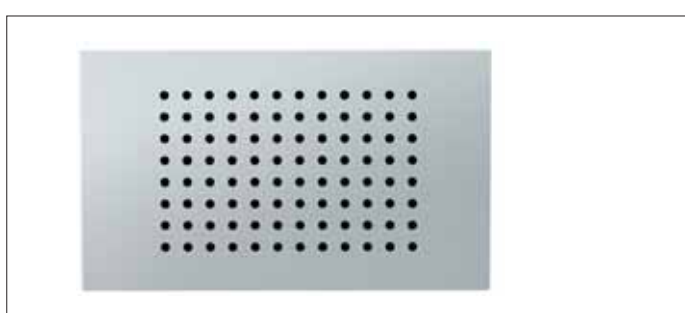
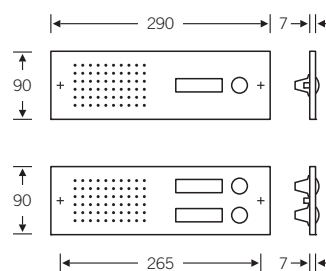
Intercom and bell-push plates



3812

- Stainless steel
- Bronze

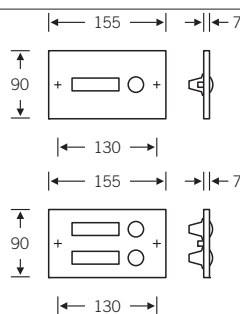
Mill out size
W 245 x H 70 x D 30 mm



3811

- Stainless steel
- Bronze

Mill out size
W 245 x H 70 x D 30 mm



3810

- Stainless steel
- Bronze

Mill out size
W 245 x H 70 x D 30 mm

Versions 3810/3812:
Interchangeable plastic nameplates
0011 single
0012 double
0111 single, wallmounting
0112 double, wallmounting

Interchangeable screw-on nameplates (68 x 20 mm) in Stainless steel and bronze for custom name engraving*
0021 single
0022 double
0121 single, wallmounting
0122 double, wallmounting

Without nameplates for custom name engraving*
0031 single
0032 double
0131 single, wallmounting
0132 double, wallmounting

Engravings cf. page 263 Notes on fixing methods cf. Page 454

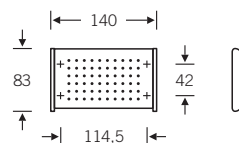
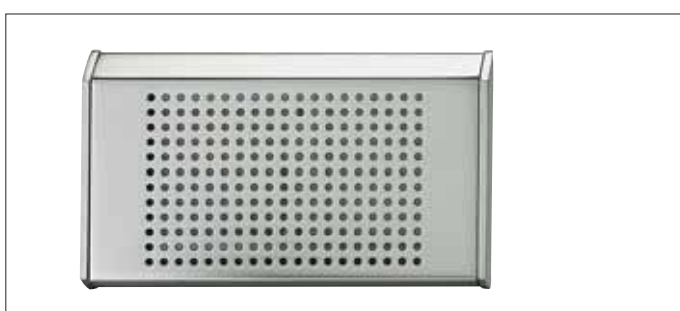
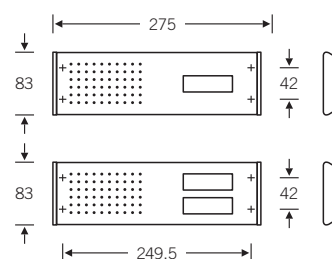
Intercom and bell-push plates



3866

- Aluminium
- Stainless steel

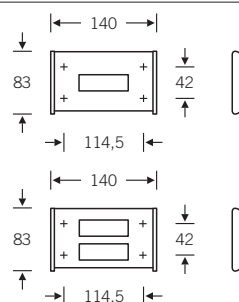
Mill out size
W 235 x H 60 x D 30 mm



3865

- Aluminium
- Stainless steel

Mill out size
W 100 x H 60 x D 30 mm



3864

- Aluminium
- Stainless steel

Mill out size
W 100 x H 60 x D 30 mm

Instruction:

Bell pushes may only be connected to a protective low voltage (max 42 V). Given the high no-load voltage involved, we recommend connecting the light socket (lamp operation max. 24 V/40 mA) to the safety transformer (8 V).

Versions 3864/3866 :
Interchangeable plastic nameplates
0011 single
0012 double

Bell pushes



← 55 →



3863

■ Aluminium



← 55 →

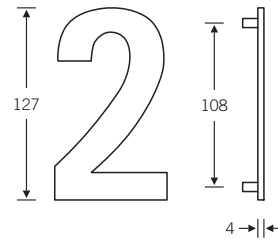


3863

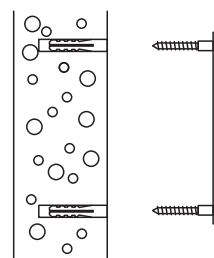
■ Stainless steel
■ Bronze

Instruction:
Bell pushes may only be connected to a protective low voltage (max 42 V).

Numerals



4005 ..
■ Stainless steel
■ Bronze



FSB's programme of numerals and letters draws on a design that Otl Aicher recommended to our company as a headline typeface. For Otl Aicher, good legibility from a distance was all important. Our numerals and letters are made of 4 mm-thick stainless steel, material code 1.4301. All characters feature two standardised fixing points comprising 4 mm threaded sockets. These are fitted with bolts which in turn are secured in 8 mm rawlplugs.

Each character is supplied with a fixing template that also determines the distance between characters. Custom spacing can be achieved by reducing the width of templates.

7c

Item nos:
4005 ..

1	2	3	4	5	6	7	8	9	0
01	02	03	04	05	06	07	08	09	00
a	b	c	d	e	/				
11	12	13	14	16	15				

